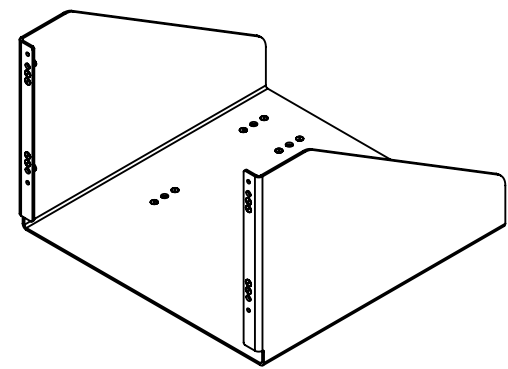
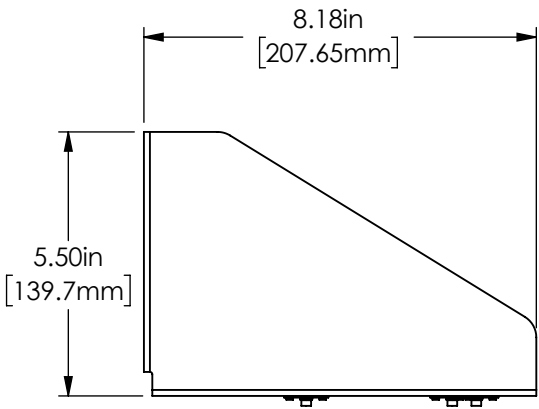
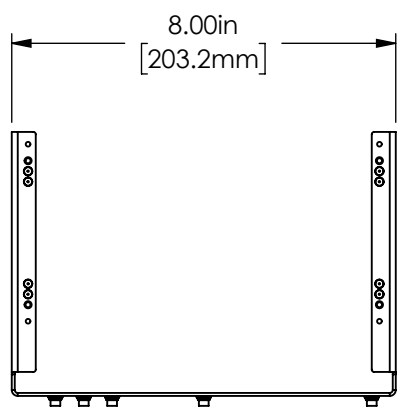


Panel cut-out Detail
SCALE 1:2
(DO NOT SCALE DRAWING)

NOTE: Finishes may reduce effective size of panel cut-out. Make sure cut-out includes required margins for paint or other finishes applied to panel.



SkyView HDX
SV-HDX800
with Avionics Tray
Panel Cut-Out



19825 141st PI NE
Woodinville, WA 98072
425-402-0433
www.dynonavionics.com